

BUG: 3-way flanged valve, PN 25/16 (el.)

How energy efficiency is improved

Efficiency means precise and reliable control

Features

- Continuous control of cold and hot water in closed circuits
- In combination with valve actuators AVM 322(S), AVM 234S, AVN 234S and AVF 234S as a control unit
- Water quality as per VDI 2035
- Valve with flange connection as per EN 1092-2, seal form B
- Nominal pressure 25 bar (BUG065F316: 16 bar)
- Not suitable for drinking water
- Standard compliance for control units according to DIN EN 14597 (BUG065F316 does not have TÜV approval)
- Regulating valve, free of silicone grease, painted black
- Equal-percentage characteristic, can be set with SUT valve actuators to linear or quadratic
- The control passage is closed when the spindle is moved out
- Can be used as a control valve or a distribution valve
- Valve body made of ductile cast iron
- Stainless-steel seat and spindle
- Plugs of nominal diameter DN 15...50 made of stainless steel with glass-fibre-reinforced PTFE sealing ring
- Plugs of nominal diameter DN 65...150 made of stainless steel with metal-to-metal seal
- Maintenance-free stuffing box in brass with spring-loaded PTFE washer

Technical data

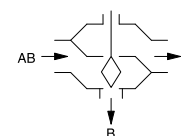
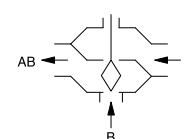
Parameters		
	Nominal pressure	PN 16/25
	Connection	Flange as per EN 1092-2, form B
	Control ratio	> 50: 1
	Control passage valve characteristic	Equal-percentage
	Mixing passage valve characteristic	Linear
Leakage rate at max. Δps		
	Control passage leakage rate	≤ 0.05% of K_{VS} value
	Mixing passage leakage rate	≤ 1.0% of K_{VS} value
Ambient conditions		
	Operating temperature ¹⁾	-10...200 °C
	Operating pressure ²⁾	PN 16: 16 bar at 30...120 °C 14 bar at 200 °C PN 25: 25 bar at 30...120 °C 21.7 bar at 200 °C
Standards, directives		
	Pressure and temperature data	EN 764, EN 1333
	Flow parameters	EN 60534

¹⁾ For cold water applications from -20...30 °C, use versions BUG***F3**S with a stuffing box containing silicone (e.g.: BUG015F304S). The BUG***F3**S valves do not comply with the standard for control units as per DIN EN 14597. BUG***F3**S are only available up to DN 125. BUG***F3**S do not have TÜV approval and must not be combined with AVN224 actuators.
Use stuffing box heater at temperatures below 0 °C; use the relevant intermediate piece (accessory) at temperatures above 130 °C or 180 °C. Down to -10 °C, as per AD code of practice W 10, use water with anti-freeze and brine solution.

²⁾ For operating pressures, see diagram "Pressure / temperature assignment"



BUG032F304



ValveDim app



Test mark ³⁾	TÜV ID: 18388
PED 2014/68/EU (CE)	Fluid group II, liquid or steam pressure
PESR-2016 (UKCA)	Fluid group II, liquid or steam pressure

Overview of types

Type	Nominal diameter	K _{V5} value	Valve stroke	Connection	Weight	Approval
BUG015F334	DN 15	1 m³/h	20 mm	PN 25/16	3.1 kg	CE, TÜV
BUG015F324	DN 15	1.6 m³/h	20 mm	PN 25/16	3.1 kg	CE, TÜV
BUG015F314	DN 15	2.5 m³/h	20 mm	PN 25/16	3.1 kg	CE, TÜV
BUG015F304	DN 15	4 m³/h	20 mm	PN 25/16	3.1 kg	CE, TÜV
BUG020F304	DN 20	6.3 m³/h	20 mm	PN 25/16	4 kg	CE, TÜV
BUG025F304	DN 25	10 m³/h	20 mm	PN 25/16	4.7 kg	CE, TÜV
BUG032F304	DN 32	16 m³/h	20 mm	PN 25/16	7.2 kg	CE, TÜV
BUG040F304	DN 40	25 m³/h	20 mm	PN 25/16	9.2 kg	CE, TÜV
BUG050F304	DN 50	40 m³/h	20 mm	PN 25/16	11.9 kg	CE, TÜV UKCA
BUG065F316	DN 65	63 m³/h	40 mm	PN 16	26.8 kg	CE, UKCA
BUG065F304	DN 65	63 m³/h	40 mm	PN 25	27.1 kg	CE, TÜV UKCA
BUG080F304	DN 80	100 m³/h	40 mm	PN 25/16	36.3 kg	CE, TÜV UKCA
BUG100F304	DN 100	160 m³/h	40 mm	PN 25	53 kg	CE, TÜV UKCA
BUG125F304	DN 125	250 m³/h	40 mm	PN 25	79.1 kg	CE, TÜV UKCA
BUG150F304	DN 150	340 m³/h	40 mm	PN 25	108.7 kg	CE, TÜV

☛ *BUG with DN 150: Not used in the United Kingdom of Great Britain and Northern Ireland (UK)*

Markets for valve-actuator combinations

	AVM322F120 AVM322F122	AVM322SF132 AVM234SF132	AVF234SF132 AVF234SF232	AVN224SF132	AVN224SF232
BUG015F334					
BUG015F324					
BUG015F314					
BUG015F304					
BUG020F304					
BUG025F304					
BUG032F304	1, 3	1, 3	1, 3	2, 3, 4	2, 3
BUG040F304					
BUG050F304					
BUG065F304					
BUG080F304					
BUG100F304					
BUG125F304					
BUG065F316	1, 3	1, 3	1, 3	2, 3	2, 3
BUG150F304	2, 3	2, 3	2, 3	2, 3, 4	2, 3

Key:

- 1 Intended for the United Kingdom of Great Britain and Northern Ireland (UK)
- 2 Combination not allowed in UK
- 3 Intended for the European Union (EU) for control functions
- 4 Approval in the EU for safety functions. Cat. IV of the PED. TÜV certificate

³⁾ *BUG065F316 does not have TÜV approval. The valve does not bear the test centre identification number and falls under category I of the Pressure Equipment Directive. The valve can be used with the AVN224SF*** actuator, but not as a safety device.*

Use stuffing box heater at temperatures below 0 °C; use the relevant intermediate piece (accessory) at temperatures above 130 °C or 180 °C. Down to -10 °C, as per AD code of practice W 10, use water with anti-freeze and brine solution. For use as per DIN EN 14597.

When the BUG065F316 is combined with the AVN224S actuator, the permissible media temperature is > 0 °C.

Accessories

Type	Description
0372336180	Intermediate piece (required when temperature of the medium is 130...180 °C)
0372336240	Adapter (required when temperature of the medium is 180...200 °C)
0378284100	Stuffing box heater 230 VAC, 15 W for medium below 0 °C
0378284102	Stuffing box heater 24 VAC, 15 W for medium below 0 °C
0378384001	Torsion protection DN 65...150
0560260001	Stuffing box for VUG/BUG for cold water application with grease containing silicone

Combination of BUG with electric actuators

- i Warranty:** The technical data and pressure differences indicated here are applicable only in combination with SAUTER valve actuators. The warranty does not apply if used with valve actuators from other manufacturers.
- i Definition of Δp_s :** Maximum admissible pressure drop in the event of a malfunction (pipe break after the valve) at which the actuator reliably closes the valve by means of a return spring.
- i Definition of Δp_{max} :** Maximum admissible pressure drop in control mode at which the actuator reliably opens and closes the valve.

Pressure differences

Actuator	AVM322F120 AVM322F122	AVM322SF132	AVM234SF132	AVF234SF132 AVF234SF232	AVN224SF132 AVN224SF232		
Actuating power	1000 N	1000 N	2500 N	2000 N	1100 N		
Control signal	2-/3-point	2-/3-point, 0...10 V, 4...20 mA	2-/3-point, 0...10 V, 4...20 mA	2-/3-point, 0...10 V, 4...20 mA	2-/3-point, 0...10 V, 4...20 mA		
Running time for DN 15...50	120/240 s	80/120 s	40/80/120 s	40/80/120 s	40/80/120 s		
Running time for DN 65...150	–	–	80/160/240 s	80/160/240 s	80/160/240 s		
As control valve	Δp_{max} [bar]	Δp_{max} [bar]	Δp_{max} [bar]	Δp_{max} [bar]	Δp_s [bar]	Δp_{max} [bar]	Δp_s [bar]
BUG015F334 BUG015F324 BUG015F314 BUG015F304 BUG020F304	16.0	16.0	16.0	16.0	25.0	16.0	25.0
BUG025F304	15.2	15.2	16.0	16.0	25.0	16.0	17.0
BUG032F304	9.4	9.4	16.0	16.0	21.0	10.5	10.5
BUG040F304	6.1	6.1	16.0	13.5	13.5	6.5	6.5
BUG050F304	4.0	4.0	11.0	8.5	8.5	4.0	4.0
BUG065F316	–	–	7.1	5.6	5.6	–	–
BUG065F304	–	–	7.1	5.6	5.6	3.0	3.0
BUG080F304	–	–	4.7	3.4	3.4	2.0	2.0
BUG100F304	–	–	3.0	2.2	2.2	1.1	1.1
BUG125F304	–	–	2.0	1.6	1.6	0.8	0.8
BUG150F304	–	–	1.5	1.2	1.2	0.6	0.6
As distribution valve	Δp_{max} [bar]	Δp_{max} [bar]	Δp_{max} [bar]	Δp_{max} [bar]	Δp_s [bar]	Δp_{max} [bar]	Δp_s [bar]
BUG015F334 BUG015F324 BUG015F314 BUG015F304 BUG020F304 BUG025F304 BUG032F304	6.0	6.0	6.0	6.0	25.0	6.0	25.0
BUG040F304	5.5	5.5	4.0	6.0	25.0	6.0	25.0
BUG050F304	3.5	3.5	6.0	6.0	25.0	4.0	25.0
BUG065F316	–	–	4.5	4.5	25.0	–	–
BUG065F304	–	–	4.5	4.5	25.0	2.6	25.0
BUG080F304	–	–	3.5	3.4	25.0	1.7	25.0
BUG100F304	–	–	3.0	2.2	25.0	1.1	25.0

Actuator	AVM322F120	AVM322SF132	AVM234SF132	AVF234SF132	AVN224SF132		
	AVM322F122			AVF234SF232		AVN224SF232	
BUG125F304	–	–	2.0	1.6	25.0	0.8	25.0
BUG150F304	–	–	1.0	1.0	25.0	0.6	25.0

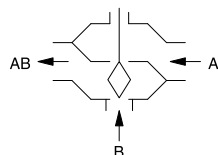
💡 At temperatures above 130 °C, accessories are required

💡 Combination with AVN 224S: with safety function as per DIN EN 14597

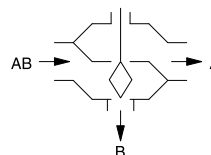
Description of operation

The valve can be moved to any intermediate position with an electric actuator. When the spindle is moved out, the control passage of the valve is closed. These valves may be used as control valves or distribution valves. The direction of flow on the valve must be considered, or must be pasted over when “using as a distribution valve” (adhesive to be found in fitting instructions). The flow parameters comply with EN 60534.

Used as a control valve



Used as a distribution valve



These regulating valves are characterised by their reliability and precision and make an important contribution towards efficient regulation. They meet difficult challenges such as safety functions, overcoming high differential pressures, controlling media temperatures and performing the shut-off function, all with a low noise level.

The spindle is automatically and firmly connected to the actuator spindle. The deluxe stainless steel SAUTER plug controls the equal-percentage flow rate. To compensate for the complementary characteristic of the consumer and ensure a constant quantity of medium regardless of the valve position, the mixing passage acts with a linear characteristic. The tightness of the valve is ensured by the stainless steel ring pressed in the housing and the corresponding plug.

The stuffing box is maintenance-free. This consists of 6 tapered PTFE rings and a spring. The spring ensures permanent tension on the seals, thus guaranteeing that they are leaktight against the spindle. In addition, a grease reserve ensures that the spindle is constantly lubricated. The grease reserve also stops particles that are present in the medium from penetrating to the PTFE sealing.

Intended use

This product is only allowed to be used in HVAC building systems for control and regulation purposes. Other uses require the prior consent of the manufacturer.

The section “Description of operation” and all product instructions in this data sheet must be observed.

Modifying or converting the product is not permitted.

Improper use

The flanged valve is not suitable for use in drinking water installations and in ATEX zones.



Notice in accordance with California Proposition 65

The product contains lead. To be marketed in North America, the appropriate warnings must be affixed to the product or packaging.

Engineering notes

The valves are combined with the AVM 322(S) or AVM 234S valve actuators without a spring return or with the AVF 234S or AVN 224S valve actuators with a spring return. When the system is commissioned, the AVM 322(S), AVM 234S and AVF 234S actuator moves out and the connector automatically closes the connection to the valve when it reaches the lower valve seat. The stroke of the valve is also detected by the actuator, and no further adjustments are required. Therefore the force on the seat is always the same and leakage levels are always minimised. With the SUT actuators, the characteristic can be set to linear or quadratic as required.


When using AVN 224S valve actuators, the actuator must be initialised manually. For a more detailed description, see PDS 51.379 "Initialisation and feedback signal".


Additional information

	Document no.
Fitting instructions VUG/BUG DN 15...50	0505947133
Fitting instructions VUG/BUG DN 65...150	0505973033
Fitting instructions AVM 321/322	P100011900
Fitting instructions AVM 234S	0505919033
Fitting instructions AVF 234S	0505920033
Fitting instructions AVN 224S	0505927033
SAUTER slide rule for valve sizing	P100013496
Technical manual on control units	7000477001
Declaration on materials and the environment	MD 56121

CE/UKCA conformity

	EU		UK	
	PED 2014/68/EU	Label	PESR-2016 (UKCA)	Label
BUG015F334 BUG015F324 BUG015F314 BUG015F304 BUG020F304 BUG025F304 BUG032F304 BUG040F304	Art. 4.3	CE-0035	Art. 8.3	-
BUG050F304 BUG065F304 BUG080F304 BUG100F304 BUG125F304	Category I	CE-0035	Category I	UKCA
BUG065F316	Category I	CE	Category I	UKCA
BUG150F304	Category II	CE-0035	Not used in UK	-

 For BUG with and without AVN224SF132: Use in safety applications is not approved in the United Kingdom of Great Britain and Northern Ireland (UK).

 For BUG***F**4 with AVN224SF132: Category IV of the PED.

Fitting

The actuator is mounted directly on the valve and fastened with screws. The actuator is connected with the spindle automatically.

NOTICE!



Damage to the sealing surface.

► When fitting the actuator on the valve, take care not to turn the plug on the valve seat.

Note



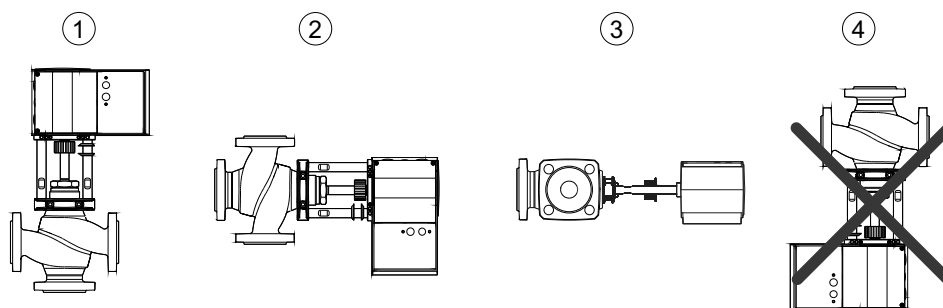
Ensure secure fitting to prevent the risk of touching moving parts or hot/cold surfaces on the valves.

To increase the functional reliability of the valves, the system should conform to DIN EN 14336 (heating systems in buildings). DIN EN 14336 states, amongst other things, that the system has to be flushed through before commissioning

Fitting position

The control unit can be fitted in any position except suspended (4).

If fitted horizontally (2) and (3), the maximum permissible weight on the valve is 25 kg. If this weight is exceeded, the customer must install a support for the control unit.



For a media temperature above 130 °C or above 180 °C: The horizontal fitting positions (2) and (3) are recommended. The intermediate piece corresponding to the temperature must be used.

To protect the valve actuator from overheating, the valve and pipes must be insulated. When insulating the valve, it may only be insulated up to the connecting clip of the actuator.

Using with water

To ensure that impurities in the water (weld beads, rust particles, etc.) are prevented from damaging the plug seal, we recommend installing collecting filters, for example one on each floor or pipe run. Requirements for water quality as per VDI 2035.

When using an additive in the water, the compatibility of the valve materials must be checked with the manufacturer of the medium. The materials table shown below may be used. When using glycol, we recommend a concentration between 20% and 55%.

Approval for DIN EN 14597

With the exception of the BUG065F316, the valves can be used together with the valve actuator with emergency function AVN 224S as per DIN EN 14597.

Hydraulics and noise in plants

The valves can be used in a low-noise environment. To prevent noise, the pressure differences Δp_{\max} listed below should not be exceeded. These are listed as recommended values in the table of pressure losses.

The pressure difference Δp_v is the maximum pressure that may act on the valve regardless of the stroke position, in order that the risk of cavitation and erosion is limited. These values are irrespective of the actuator force. The cavitation accelerates wear on the plug and seat in the valve and causes noises. To prevent cavitation, the differential pressure on the valve should not exceed the value Δp_{crit} :

$$\Delta p_{\text{crit}} = (p_1 - p_v) \times 0.5$$

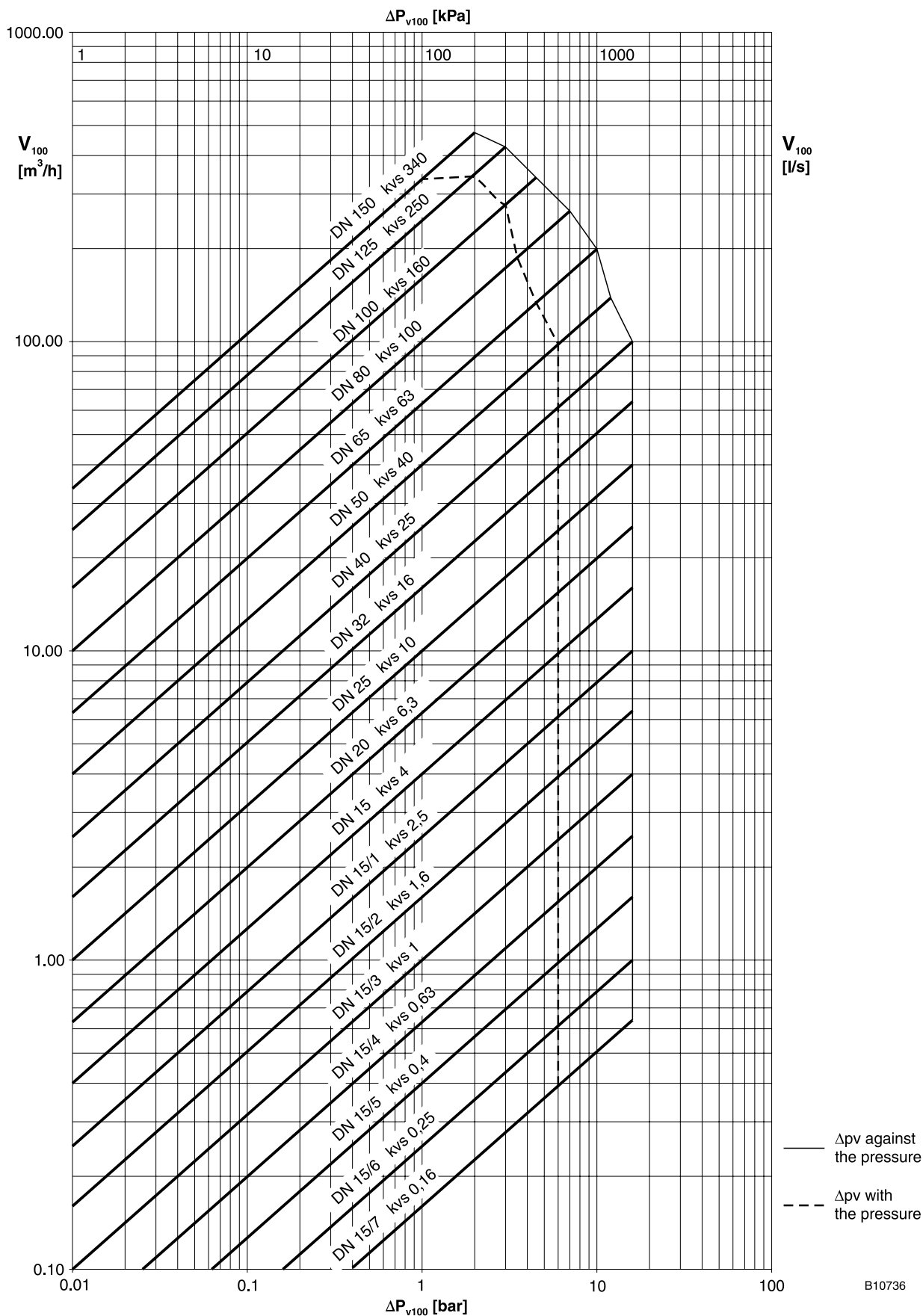
p_1 = upstream pressure before the valve (bar)

p_v = steam pressure at operating temperature (bar)

The calculation works with absolute pressure.

For the spring return, the stated Δp_s values are also the permissible differential pressure up to which the actuator can guarantee that the valve is closed in the event of an incident. Because this is an emergency function with a fast stroke movement (using a spring), this value can exceed Δp_{\max} .

Flow-rate chart



B10736

Maximum permissible pressure difference

	Δp_v	
	Against the pressure [bar]	With the pressure [bar]
BUG015F334	16	6
BUG015F324	16	6
BUG015F314	16	6
BUG015F304	16	6
BUG020F304	16	6
BUG025F304	16	6
BUG032F304	16	6
BUG040F304	16	6
BUG050F304	12	6
BUG065F304	10	4.5
BUG065F316	10	4.5
BUG080F304	7	3.5
BUG100F304	4.5	3
BUG125F304	3	2
BUG150F304	2	1

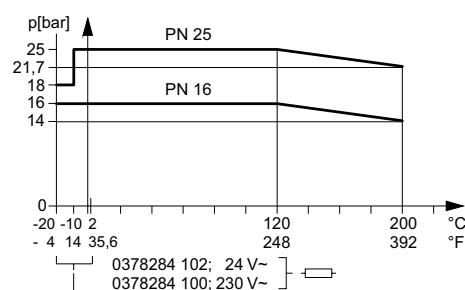
Additional version information

Valve body made of ductile cast iron as per EN 1563, code EN-GJS-400-18U-LT, material number EN-JS 1049 with smooth drilled flanges as per EN 1092-2, seal form B. Valve body protected by matt paint RAL 9005 jet black. Recommended for the welding flanges as per EN 1092-1. Valve fitting length as per EN 558-1, basic series 1. Flat seal on valve body made of asbestos-free material.

Material numbers as per DIN

	DIN material no.	DIN designation
Valve body	EN-JS 1049	EN-GJS-400-18U-LT (GGG40.3)
Valve seat	1.4021	X20Cr13
Spindle	1.4305	X8CrNiS18-9
Plug	1.4305	X8CrNiS18-9
Plug seal	PTFE	Glass-fibre reinforced
Stuffing box	CW617N	CuZn40Pb2
Seal under stuffing box	CW024A	Cu-DHP

Pressure / temperature assignment



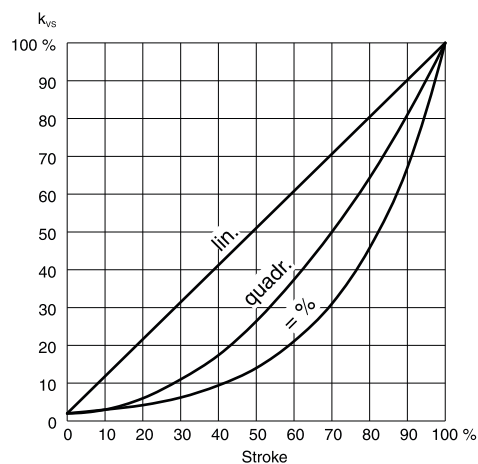
Definition of pressure differences

Δp_v : Maximum admissible pressure difference over the valve at every stroke position, limited by noise level and erosion. With this parameter, the valve is characterised as a flow element with specific hydraulic behaviour. Monitoring the cavitation and erosion along with the associated noise increases both the service life and the operational capacity.

Δp_{max} : Maximum admissible pressure difference over the valve at which the actuator can reliably open and close the valve. The following are considered: Static pressure and flow effects. This value ensures trouble-free stroke movement and tightness. The value Δp_v of the valve is never exceeded.

- Δp_s :** Maximum admissible pressure difference over the valve in the event of a malfunction (e.g. power failure, excessive temperature or pressure, pipe break) at which the actuator can close the valve tightly and, if necessary, maintain the entire operating pressure against atmospheric pressure. Because this is a safety function with a rapid stroke movement, Δp_s can be greater than Δp_{max} or Δp_v . The flow disturbing effects that arise here are quickly passed through. They are of secondary importance with this method of operation. For 3-way valves, the values only apply to the control passage.
- Δp_{stat} :** Line pressure behind the valve. This essentially corresponds to the idle pressure when the pump is switched off, caused for example by the fluid level in the system, increased pressure due to pressure tanks or steam pressure. For valves that close with pressure, the static pressure plus the pump pressure are used.

Characteristic for actuators with positioner (24 V only)



On actuators AVM 322(S), AVM 234S, AVF 234S or AVN 224S

— Equal-percentage, linear, quadratic
Can be set using coding switch

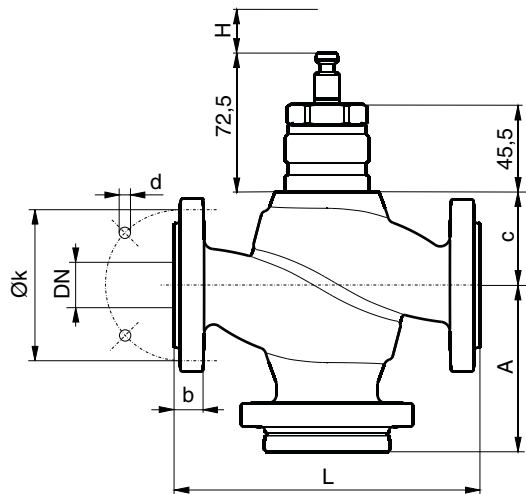
Disposal

When disposing of the product, observe the currently applicable local laws.

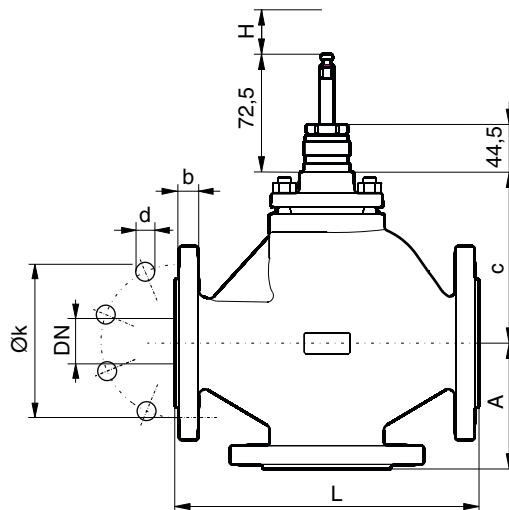
More information on materials can be found in the Declaration on materials and the environment for this product.

Dimension drawing

All dimensions in mm.



BUG	DN	A	c	L	H	k	d	b
015	15	75,5	54	130	20	65	14 x 4	14
020	20	83,5	48	150	20	75	14 x 4	16
025	25	86,5	50	160	20	85	14 x 4	16
032	32	99,5	59	180	20	100	19 x 4	18
040	40	105,5	63	200	20	110	19 x 4	19
050	50	113,5	67	230	20	125	19 x 4	19
065	65/ PN16	120,0	163	290	40	145	19 x 4	19

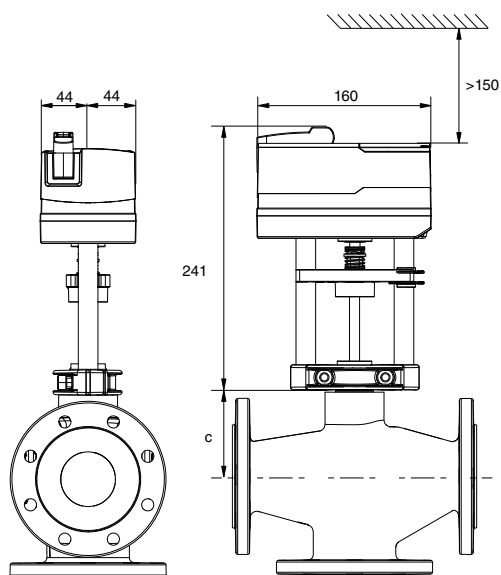


BUG	DN	A	c	L	H	k	d	b
065	65/PN25	120	163	290	40	145	19 x 8	19
080	80	130	182	310	40	160	19 x 8	19
100	100	150	183	350	40	190	23 x 8	19
125	125	200	223	400	40	220	28 x 8	19
150	150	210	257	480	40	250	28 x 8	20

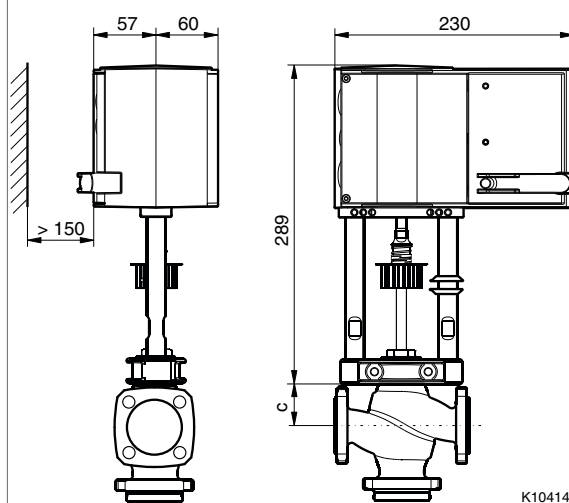
Combinations

- i* All dimensions in mm.
- i* For dimension c, see tables above.

AVM 322(S)

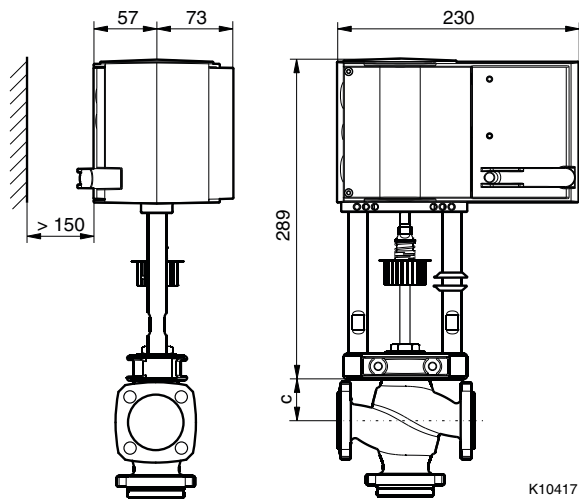


AVM 234S

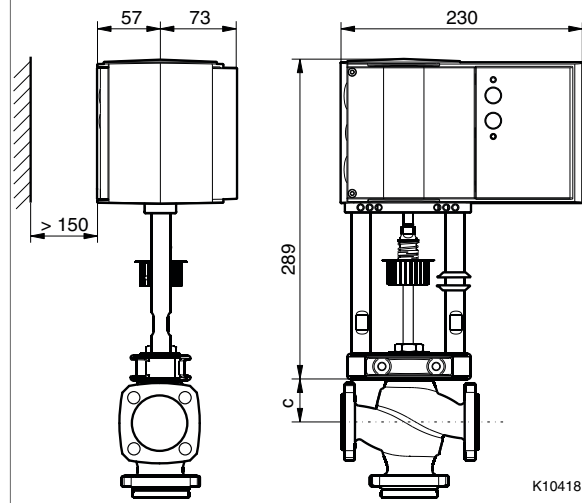


K10414

AVF 234S



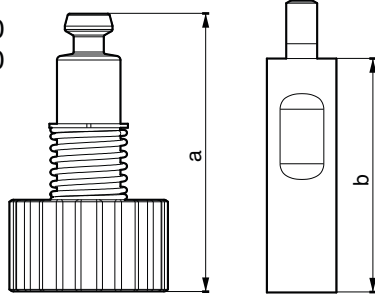
AVN 224S



Accessories

All dimensions in mm.

0372336 180
0372336 240



0372336	T (°C)	a (mm)	b (mm)
180	180	69,4	60
240	240	109,4	100

[mm]

0378284 100
0378284 102

